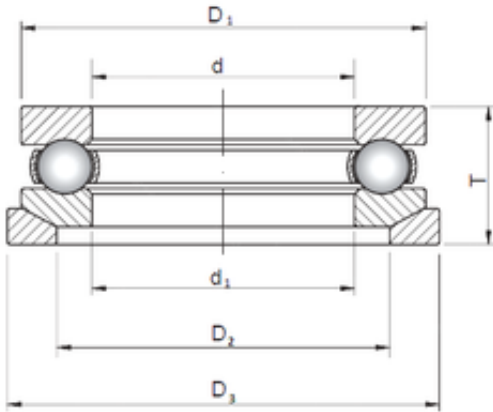




ISO 53310U+U310 thrust ball bearings

Bearing No. 53310U+U310



Bore Diameter	50 mm
Outer Diameter	95 mm
d	50 mm
d1	52 mm
D	95 mm
D1	95 mm
T	37 mm
D2	72 mm
D3	100 mm

53310U+U310 Bearing 2D drawings and 3D CAD models