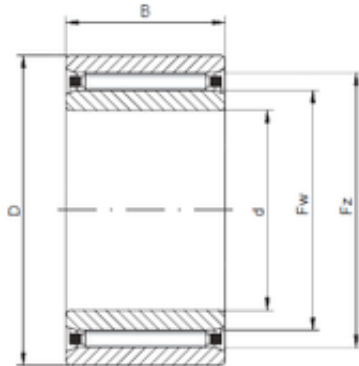




# Timken MANUFACTURING (THAILAND)CO.,LTD.



9 mm x 22 mm x 12 mm ISO NAO9x22x12  
cylindrical roller bearings

Bearing No. NAO9x22x12

Bore Diameter	9 mm
Outer Diameter	22 mm
d	9 mm
Fw	12 mm
D	22 mm
Ew	18 mm
B	12 mm
C	12 mm

NAO9x22x12 Bearing 2D drawings and 3D CAD  
models