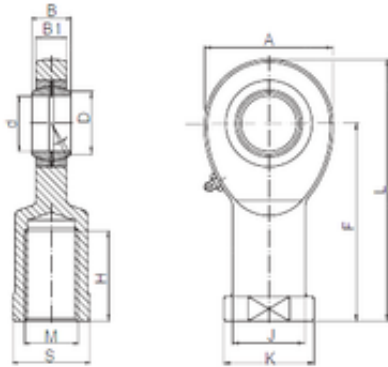




# Timken MANUFACTURING (THAILAND)CO.,LTD.

18 mm x 21,8 mm x 23 mm ISO SIL 18 plain bearings



Bearing No. SIL 18

Bore Diameter	18 mm
d	18 mm
B	23 mm
A	46 mm
B1	16,5 mm
D	21,8 mm
F	71 mm
H	32 mm
J	25 mm
K	31 mm
L	94 mm
S	27 mm
Bolt (G)	M18x1,5

SIL 18 Bearing 2D drawings and 3D CAD models