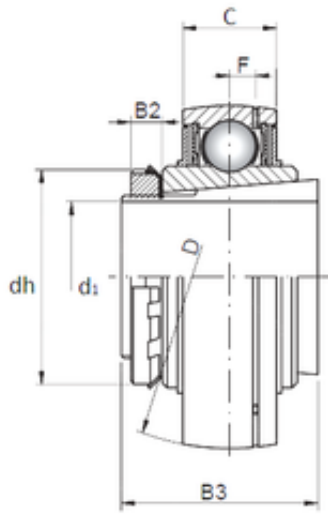




Timken MANUFACTURING (THAILAND)CO.,LTD.



35 mm x 72 mm x 29 mm ISO UK207+H2307
deep groove ball bearings

Bearing No. UK207+H2307

Size	35x72x29 mm
Bore Diameter	35 mm
Outer Diameter	72 mm
Width	29 mm
d	35 mm
d1	30 mm
D	72 mm
B	29 mm
C	20 mm
B2	9 mm
B3	43 mm
F	5,7 mm
dh	52 mm

UK207+H2307 Bearing 2D drawings and 3D CAD models