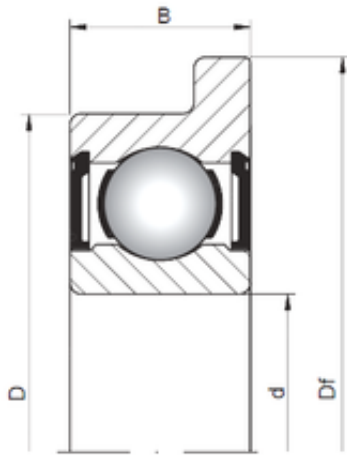




# Timken MANUFACTURING (THAILAND)CO.,LTD.



8 mm x 12 mm x 3,5 mm ISO FL617/8 ZZ deep groove ball bearings

Bearing No. FL617/8 ZZ

Size	8x12x3.5 mm
Bore Diameter	8 mm
Outer Diameter	12 mm
Width	3,5 mm
d	8 mm
D	12 mm
B	3,5 mm
C	3,5 mm
Df	13,6 mm

FL617/8 ZZ Bearing 2D drawings and 3D CAD models