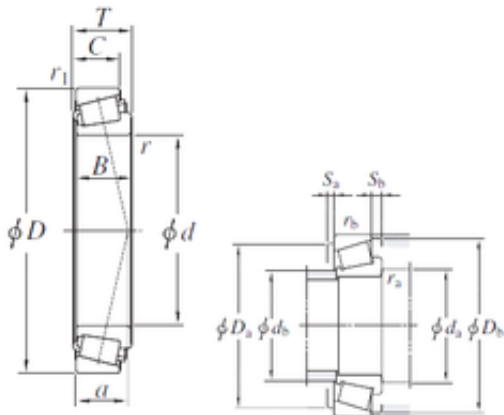




Timken MANUFACTURING (THAILAND)CO.,LTD.

146,05 mm x 193,675 mm x 28,575 mm KOYO
36691/36620 tapered roller bearings



Bearing No. 36691/36620

Size	146.05x193.675x28.575 mm
Bore Diameter	146,05 mm
Outer Diameter	193,675 mm
Width	28,575 mm
d	146,05 mm
D	193,675 mm
T	28,575 mm
B	28,575 mm
C	23,02 mm
a	33,7 mm
r min.	4,8 mm
r1 min.	1,6 mm
da min.	161 mm
Da min	179 mm
Da max.	185 mm
db max.	158 mm
ra max.	4,8 mm
rb max.	1,6 mm
Db	185 mm
Weight	2,23 Kg
Basic dynamic load rating (C)	187 kN
Basic static load rating (C0)	375 kN
Calculation factor (e)	0,37
Calculation factor (Y0)	0,9

36691/36620 Bearing 2D drawings and 3D CAD models