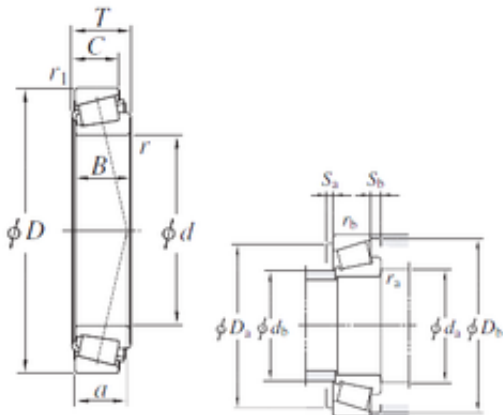




Timken MANUFACTURING (THAILAND)CO.,LTD.

114,3 mm x 273,05 mm x 82,55 mm KOYO HH926744/HH926710 tapered roller bearings



Bearing No. HH926744/HH926710

HH926744/HH926710 Bearing 2D drawings and 3D CAD models

Size	114.3x273.05x82.55 mm
Bore Diameter	114,3 mm
Outer Diameter	273,05 mm
Width	82,55 mm
d	114,3 mm
D	273,05 mm
T	82,55 mm
B	82,55 mm
C	53,975 mm
a	76,1 mm
r min.	6,4 mm
r1 min.	6,4 mm
r2 min.	6,4 mm
da min.	133 mm
Da min	230 mm
Da max.	255 mm
Da	230 mm
db max.	151 mm
db min	147 mm
ra max.	6,4 mm
rb max.	6,4 mm
Db	252 mm
Weight	21,9 Kg
Basic dynamic load rating (C)	707 kN
Basic static load rating (C0)	898 kN



Timken MANUFACTURING (THAILAND)CO.,LTD.

(Grease) Lubrication Speed	1500 r/min
(Oil) Lubrication Speed	1900 r/min
Calculation factor (e)	0,63
Calculation factor (Y0)	0,52