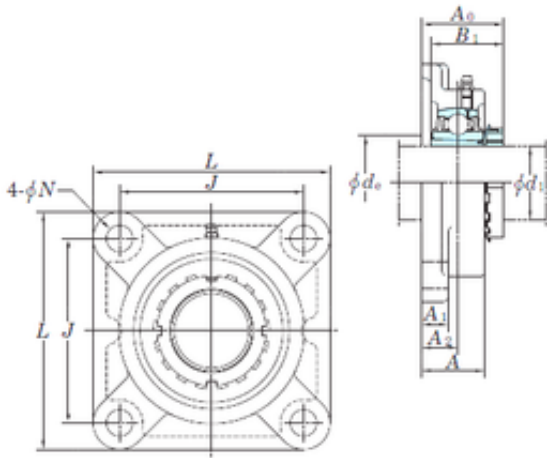




**KOYO UKF208 bearing units**



Bearing No. UKF208

Bore Diameter	35 mm
d	35 mm
A0	44,5 mm
d3	46 mm
A	36 mm
A1	15 mm
B1	36 mm
J	102 mm
L	130 mm
N	16 mm
Thread (G)	M14
A2	21 mm
Weight	1,9 Kg
Basic dynamic load rating (C)	29,1 kN
Basic static load rating (C0)	17,8 kN

UKF208 Bearing 2D drawings and 3D CAD models