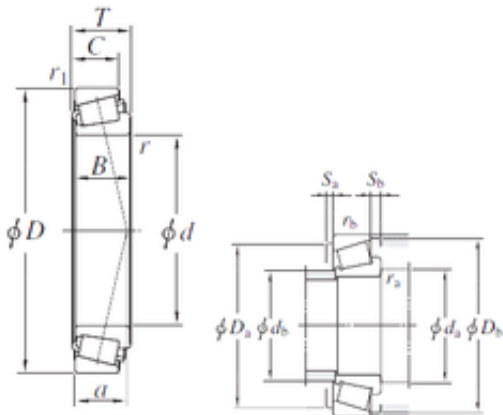




Timken MANUFACTURING (THAILAND)CO.,LTD.

120 mm x 260 mm x 62 mm KOYO 31324JR tapered roller bearings

Bearing No. 31324JR



31324JR Bearing 2D drawings and 3D CAD models

Size	120x260x68 mm
Bore Diameter	120 mm
Outer Diameter	260 mm
Width	68 mm
d	120 mm
D	260 mm
T	68 mm
B	62 mm
C	42 mm
a	81,9 mm
r min.	4 mm
r1 min.	3 mm
r2 min.	3 mm
da min.	138 mm
da max	145 mm
Da min	221 mm
Da max.	246 mm
db max.	145 mm
Db min.	244 mm
ra max.	3 mm
rb max.	2,5 mm
Db	244 mm
Weight	15,4 Kg
Basic dynamic load rating (C)	526 kN
Basic static load rating (C0)	665 kN



Timken MANUFACTURING (THAILAND)CO.,LTD.

(Grease) Lubrication Speed	1300 r/min
(Oil) Lubrication Speed	1800 r/min
Calculation factor (e)	0,83
Calculation factor (Y0)	0,4
Bearing No.	31324JR
r(min)	4
r1(min)	3
Cr	657
C0r	665
Cu	77.8
Grease lub.	1300
Oil lub.	1800
a	81.9 mm
da(min)	138
db(max)	145
Da(max)	246
Da(min)	221
Db(min)	244
Sa(min)	6
Sb(min)	21
ra(max)	3
rb(max)	2.5
e	0.83
Y1	0.73
Y0	0.40
(Refer.)Mass(kg)	15.4