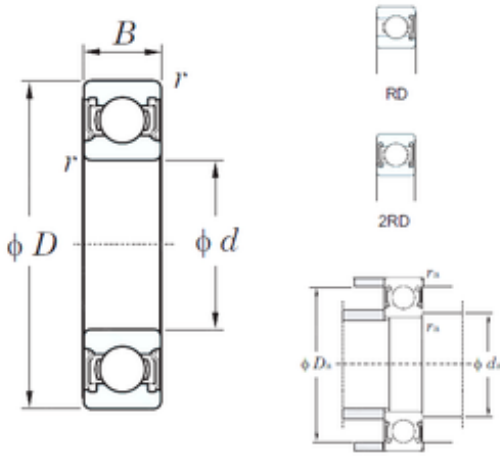




Timken MANUFACTURING (THAILAND)CO.,LTD.



55 mm x 80 mm x 13 mm KOYO 6911-2RD deep groove ball bearings

Bearing No. 6911-2RD

Size	55x80x13 mm
Bore Diameter	55 mm
Outer Diameter	80 mm
Width	13 mm
d	55 mm
D	80 mm
B	13 mm
C	13 mm
r min.	1 mm
da min.	60 mm
da max	60,5 mm
Da max.	75 mm
ra max.	1 mm
Weight	0,185 Kg
Basic dynamic load rating (C)	16,6 kN
Basic static load rating (C0)	14,1 kN
(Grease) Lubrication Speed	7300 r/min

6911-2RD Bearing 2D drawings and 3D CAD models