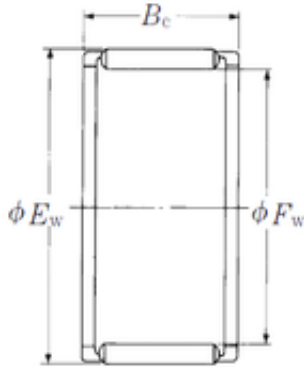




NSK FWJ-202617 needle roller bearings



Bearing No. FWJ-202617

Bore Diameter	20 mm
Outer Diameter	26 mm
Fw	20 mm
Ew	26 mm
Bc	17 mm
Weight	0,015 Kg
Basic dynamic load rating (C)	18 kN
Basic static load rating (C0)	23,2 kN
(Grease) Lubrication Speed	14000 r/min
hidYobi	FWJ-202617
LangID	1
Prod_Type3	NRB_CNRA_FWF-FWJ
d	20
D_	26
DA_	3
Z_	16
C	18
B_	17
hidTable	ecat_NSCRA
yobi	FWJ-202617
mass	15
GRS rpm	14000
OIL rpm	22000
SDM_	23
KBRG	8111
C0	23.2

FWJ-202617 Bearing 2D drawings and 3D CAD models



Timken MANUFACTURING (THAILAND)CO.,LTD.

SLR	13.8
-----	------