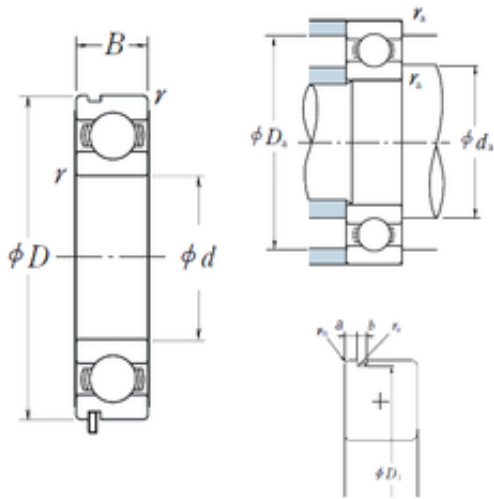




Timken MANUFACTURING (THAILAND)CO.,LTD.



50 mm x 90 mm x 20 mm NSK 6210N deep groove ball bearings

Bearing No. 6210N

6210N Bearing 2D drawings and 3D CAD models

Size	50x90x20 mm
Bore Diameter	50 mm
Outer Diameter	90 mm
Width	20 mm
d	50 mm
D	90 mm
B	20 mm
C	20 mm
rn	0,5 mm
a	3,28 mm
b	2,7 mm
r min.	1,1 mm
r0 max.	0,6 mm
D1	86,79 mm
da min.	56,5 mm
da max	60 mm
Da max.	83,5 mm
ra max.	1 mm
Weight	0,459 Kg
Basic dynamic load rating (C)	35 kN
Basic static load rating (C0)	23,2 kN
(Grease) Lubrication Speed	7 100 r/min
(Oil) Lubrication Speed	8 500 r/min
SRI	6.57
hidYobi	6210N



Timken MANUFACTURING (THAILAND)CO.,LTD.

LangID	1
ro	0.6
D_	90
SREX	0.025
B_	20
da min	56.5
hidTable	ecat_NSRDGB
Oil rpm	8500
SRE	6.57
mass	0.459
GRS rpm	7100
ra	1
SRIX	0.025
D_a	83.5
SRIN	-0.025
C0	23.2
fo	14.4
SREN	-0.025
DE_	82.7
Prod_Type3	DGBB_SR_N_OT
DA_	12.7
bomp	0
Z_	10
yobi	6210N
C_conv	35000
ALPHA_	0
SDM_	70
r	1.1
KBRG	6101
SBRG	2
DI_	57.3