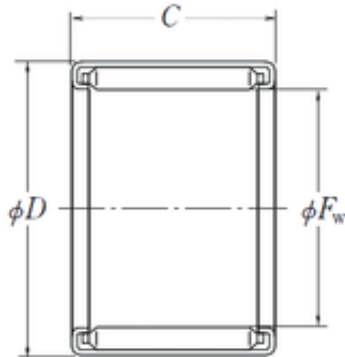




NSK F-2220 needle roller bearings



Bearing No. F-2220

Size	22x28x20 mm
Bore Diameter	22 mm
Outer Diameter	28 mm
Width	20 mm
Fw	22 mm
D	28 mm
C	20 mm
Weight	0,03 Kg
Basic dynamic load rating (C)	21,6 kN
(Grease) Lubrication Speed	2400 r/min
NB-DI	0
NA-DEX	26.209
hidYobi	F-2220
LangID	1
D_	28
NC-SLR	17.98
B_	20.5
n_yobi	FIR-172220
hidTable	ecat_NSDCNR
mass_k	30
d1	17
GRS rpm	2400
ra	0.3
NC-SLR1	0
C0	46.396
C1	20

F-2220 Bearing 2D drawings and 3D CAD models



Timken MANUFACTURING (THAILAND)CO.,LTD.

Prod_Type3	NRB_DC_F-MF_FC_OT
da	19
d	17
NC-RAC	0
Pmax	20000
N-SDM	0
yobi	F-2220
C1_C2	2.2
ND-Z	0
OIL rpm	4000
NC-DA	2.098
N-KBRG	8200
NC-KMS	36
B1	20.5