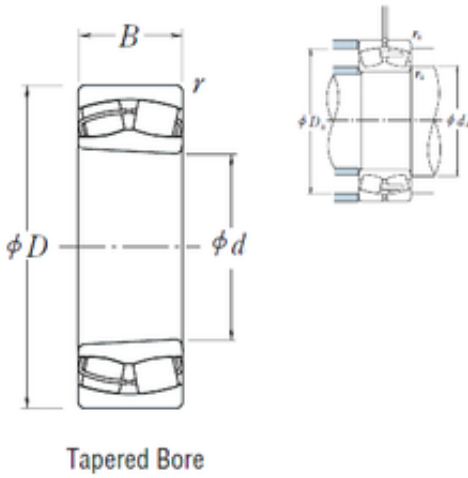




Timken MANUFACTURING (THAILAND)CO.,LTD.



130 mm x 200 mm x 52 mm NSK 23026CDKE4 spherical roller bearings

Bearing No. 23026CDKE4

23026CDKE4 Bearing 2D drawings and 3D CAD models

Size	130x200x52 mm
Bore Diameter	130 mm
Outer Diameter	200 mm
Width	52 mm
d	130 mm
D	200 mm
B	52 mm
C	52 mm
r min.	2 mm
da min.	140 mm
da max	147 mm
Da min	180 mm
Da max.	190 mm
ra max.	2 mm
Weight	5,98 Kg
Basic dynamic load rating (C)	400 kN
Basic static load rating (C0)	655 kN
(Grease) Lubrication Speed	1700 r/min
(Oil) Lubrication Speed	2000 r/min
Calculation factor (e)	0,23
Calculation factor (Y0)	2,8
Calculation factor (Y2)	4,3
Category	Spherical Roller Bearings
Inventory	0.0
Manufacturer Name	NSK



Timken MANUFACTURING (THAILAND)CO.,LTD.

Minimum Buy Quantity	N/A
Weight / Kilogram	6
EAN	0029176027390
Product Group	B04311
Internal Clearance	C0-Medium
Mounting Method	Adapter Mount
Rolling Element	Spherical Roller Bearing
Bore Profile	Tapered
Cage Material	Steel
Enclosure	Open
Number of Rows of Rollers	Double Row
Relubricatable	Yes
Withdrawal Sleeve	AHX3026 (Specify bore)
Inch - Metric	Metric
Long Description	130MM Tapered Bore; 200MM Outside Diameter; 52MM Width; C0-Medium Clearance; Adapter Mount; Double Row of Spherical Roller Bearings; Steel Cage Material; Open Enclosure; Relubricatable; Adapter Part N
Other Features	Order adapter or withdrawal sleeve or nut separately. Others may be available
Category	Spherical Roller Bearing
UNSPSC	31171510
Harmonized Tariff Code	84823080
Noun	Bearing
Keyword String	Spherical
Manufacturer URL	http://www.nskamericas.com
Manufacturer Item Number	23026CDKE4
Weight / LBS	5.86



Timken MANUFACTURING (THAILAND)CO.,LTD.

Outside Diameter	7.874 Inch 200 Millimeter
Width	2.047 Inch 52 Millimeter
Bore	5.118 Inch 130 Millimeter
Adapter Part Number	SNW3026 H3026 HA3026 HE3026 (Specify Bore) Inch H3026 (Specify bore) Millimeter
bore diameter:	130 mm
outer ring type:	Not Split
outside diameter:	200 mm
internal clearance:	C0
overall width:	52 mm
lubrication hole type:	Oil Grooves And Holes In Outer Ring
bore type:	Tapered 1:12
cage material:	Steel
Y3	2.9
hidYobi	23026CDKE4
LangID	1
Y1	2.8
D_	200
Y2	4.3
Macha rpm	0
B_	52
da min	140
hidTable	ecat_NSSPHR
Oil rpm	2000
Y0	2.8
mass	5.98
GRS rpm	1700
ra	2
TSR rpm	3000
C0	655



Timken MANUFACTURING (THAILAND)CO.,LTD.

DE_	183.794
X0	1
Prod_Type3	SRB_CTB_TB
X1	1
X2	0.67
SIR	20.5
e	0.23
DA_	17.5
bomp	23026CDKE4
Z_	25
ALP2	50
ALP1	8
ALP3	0
D_a max	190
D_a min	180
yobi	23026CDKE4
ALPHA_	0.154
SDM_	166.501
r	2
KBRG	2321
SBRG	30
DI_	149.209