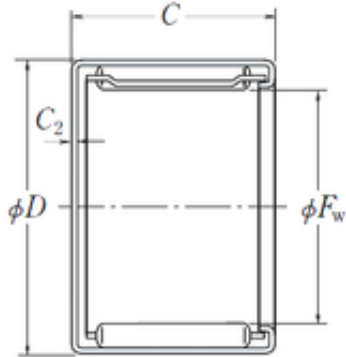




**NSK MFJ-2820 needle roller bearings**



Bearing No. MFJ-2820

MFJ-2820 Bearing 2D drawings and 3D CAD models

Size	28x35x20 mm
Bore Diameter	28 mm
Outer Diameter	35 mm
Width	20 mm
Fw	28 mm
D	35 mm
C	20 mm
C1	1 mm
Weight	0,038 Kg
Basic dynamic load rating (C)	20500 kN
(Grease) Lubrication Speed	7100 r/min
NB-DI	0
NA-DEX	0
hidYobi	MFJ-2820
LangID	1
D_	35
NC-SLR	0
B_	20.5
n_yobi	FIR-222820
hidTable	ecat_NSDCNR
d1	22
GRS rpm	7100
ra	0.3
NC-SLR1	0
C0	32.951
Prod_Type3	NRB_DC_FJ-



## Timken MANUFACTURING (THAILAND)CO.,LTD.

	MFJ_WC_CT
da	24
d	22
NC-RAC	0
Pmax	14200
N-SDM	0
yobi	MFJ-2820
C1_C2	1
ND-Z	0
OIL rpm	11000
NC-DA	0
mass_i	38
NC-KMS	0
B1	20.5