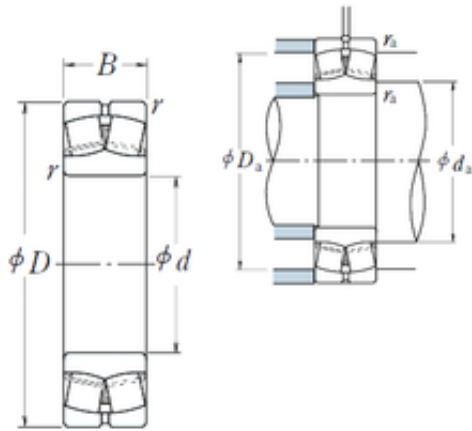




Timken MANUFACTURING (THAILAND)CO.,LTD.



45 mm x 85 mm x 23 mm NSK 22209EAE4 spherical roller bearings

Bearing No. 22209EAE4

22209EAE4 Bearing 2D drawings and 3D CAD models

Size	45x85x23 mm
Bore Diameter	45 mm
Outer Diameter	85 mm
Width	23 mm
d	45 mm
D	85 mm
B	23 mm
C	23 mm
r min.	1,1 mm
da min.	52 mm
da max	54 mm
Da min	75 mm
Da max.	78 mm
ra max.	1 mm
Weight	0,55 Kg
Basic dynamic load rating (C)	94,5 kN
Basic static load rating (C0)	111 kN
(Grease) Lubrication Speed	5300 r/min
(Oil) Lubrication Speed	7000 r/min
Calculation factor (e)	0,25
Calculation factor (Y0)	2,6
Calculation factor (Y2)	3,9
Category	Spherical Roller Bearings
Inventory	0.0
Manufacturer Name	NSK



Timken MANUFACTURING (THAILAND)CO.,LTD.

Minimum Buy Quantity	N/A
Weight / Kilogram	0.55
EAN	0029176591037
Product Group	B04311
Internal Clearance	C0-Medium
Mounting Method	Shaft Mount
Rolling Element	Spherical Roller Bearing
Bore Profile	Straight
Cage Material	Steel
Enclosure	Open
Number of Rows of Rollers	Double Row
Relubricatable	Yes
Withdrawal Sleeve	Not Applicable
Inch - Metric	Metric
Long Description	45MM Straight Bore; 85MM Outside Diameter; 23MM Width; C0-Medium Clearance; Shaft Mount; Double Row of Spherical Roller Bearings; Steel Cage Material; Open Enclosure; Relubricatable
Category	Spherical Roller Bearing
UNSPSC	31171510
Harmonized Tariff Code	84823080
Noun	Bearing
Keyword String	Spherical
Manufacturer URL	http://www.nskamericas.com
Manufacturer Item Number	22209EAE4
Weight / LBS	0.55
Bore	1.772 Inch 45 Millimeter
Outside Diameter	3.346 Inch 85 Millimeter
Width	0.906 Inch 23 Millimeter
Adapter Part Number	Not Applicable Inch Not



Timken MANUFACTURING (THAILAND)CO.,LTD.

	Applicable Millimeter
bore diameter:	45 mm
maximum rpm:	7500 RPM
outside diameter:	85 mm
operating temperature range:	Maximum of +200 ° C
overall width:	23 mm
cage material:	Steel
bore type:	Straight
bearing material:	Steel
outer ring type:	Not Split
cage type:	Inner Ring Guided
internal clearance:	C0
precision rating:	RBEC 1 (ISO Class Normal)
closure type:	Open
finish/coating:	Uncoated
lubrication hole type:	Lubrication Groove & Hole
outer ring width:	23 mm
dynamic load capacity:	118000 N
fillet radius:	1.1 mm
static load capacity:	111000 N
series:	222
Y3	2.7
hidYobi	22209EAE4
LangID	1
Y1	2.7
D_	85
Y2	3.9
Macha rpm	11000
B_	23
da min	52
hidTable	ecat_NSSPHR



Timken MANUFACTURING (THAILAND)CO.,LTD.

Oil rpm	7500
Y0	2.6
mass	0.55
GRS rpm	6000
ra	1
TSR rpm	6300
C0	111
DE_	76.9
X0	1
Prod_Type3	SRB_CTB_CB
X1	1
X2	0.67
SIR	8.91
e	0.26
DA_	10.35
bomp	22209EAE4
Z_	18
ALP2	38
ALP1	9
ALP3	0
D_a max	78
D_a min	75
yobi	22209EAE4
HPS	HPS
ALPHA_	0.168
SDM_	66.696
r	1.1
KBRG	2328
SBRG	22
DI_	56.492