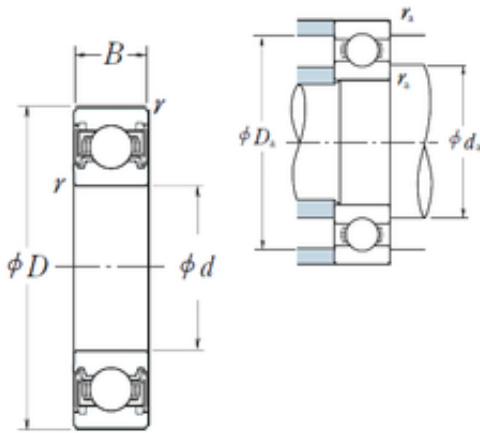




Timken MANUFACTURING (THAILAND)CO.,LTD.



85 mm x 180 mm x 41 mm NSK 6317VV deep groove ball bearings

Bearing No. 6317VV

6317VV Bearing 2D drawings and 3D CAD models

Size	85x180x41 mm
Bore Diameter	85 mm
Outer Diameter	180 mm
Width	41 mm
d	85 mm
D	180 mm
B	41 mm
C	41 mm
r min.	3 mm
da min.	98 mm
da max	110,5 mm
Da max.	167 mm
ra max.	2,5 mm
Weight	4,28 Kg
Basic dynamic load rating (C)	133 kN
Basic static load rating (C0)	97 kN
(Grease) Lubrication Speed	3 800 r/min
Category	Single Row Ball Bearings
Inventory	0.0
Manufacturer Name	NSK
Minimum Buy Quantity	N/A
Weight / Kilogram	4.4
EAN	0029176017674
Product Group	B00308
Enclosure	2 Seals



Timken MANUFACTURING (THAILAND)CO.,LTD.

Precision Class	ABEC 1 ISO P0
Maximum Capacity / Filling Slot	No
Rolling Element	Ball Bearing
Snap Ring	No
Internal Special Features	No
Cage Material	Steel
Enclosure Type	Non-Contact Seal
Internal Clearance	C0-Medium
Inch - Metric	Metric
Long Description	85MM Bore; 180MM Outside Diameter; 41MM Outer Race Diameter; 2 Seals; Ball Bearing; ABEC 1 ISO P0; No Filling Slot; No Snap Ring; No Internal Special Features
Category	Single Row Ball Bearing
UNSPSC	31171504
Harmonized Tariff Code	8482.10.50.68
Noun	Bearing
Keyword String	Ball
Manufacturer URL	http://www.nskamericas.com
Manufacturer Item Number	6317VV
Weight / LBS	4.36
Outside Diameter	7.087 Inch 180 Millimeter
Outer Race Width	1.614 Inch 41 Millimeter
Bore	3.346 Inch 85 Millimeter
SRI	15.61
hidYobi	6317VV
LangID	1
D_	180
SREX	0.065
B_	41



Timken MANUFACTURING (THAILAND)CO.,LTD.

da min	98
hidTable	ecat_NSRDGB
SRE	15.61
mass	4.28
GRS rpm	3800
ra	2.5
SRIX	0.065
D_a	167
SRIN	-0.065
C0	97
fo	13.3
SREN	-0.065
DE_	162.662
Prod_Type3	DGBB_SR_VV
DA_	30.162
bomp	0
Z_	8
yobi	6317VV
C_conv	133000
ALPHA_	0
SDM_	132.5
r	3
KBRG	6151
SBRG	3
DI_	102.338