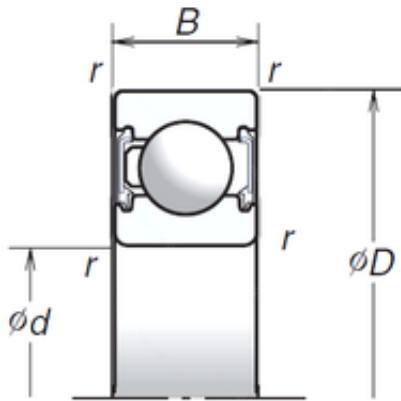




Timken MANUFACTURING (THAILAND)CO.,LTD.



17 mm x 35 mm x 10 mm NSK 6003T1XVV
deep groove ball bearings

Bearing No. 6003T1XVV

Size	17x35x10 mm
Bore Diameter	17 mm
Outer Diameter	35 mm
Width	10 mm
d	17 mm
D	35 mm
B	10 mm
C	10 mm
r min.	0,3 mm
Basic dynamic load rating (C)	6 kN
Basic static load rating (C0)	3,25 kN

6003T1XVV Bearing 2D drawings and 3D CAD models