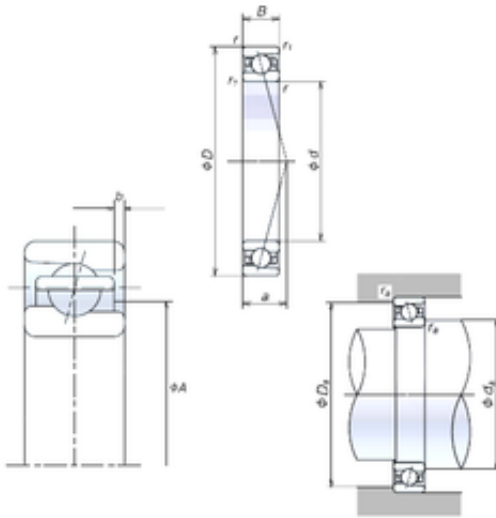




Timken MANUFACTURING (THAILAND)CO.,LTD.



60 mm x 95 mm x 18 mm NSK 60BER10S
angular contact ball bearings

Bearing No. 60BER10S

60BER10S Bearing 2D drawings and 3D CAD models

Size	60x95x18 mm
Bore Diameter	60 mm
Outer Diameter	95 mm
Width	18 mm
d	60 mm
D	95 mm
B	18 mm
C	18 mm
Angle (°)	25 °
a	26,9 mm
b	1,5 mm
r min.	1,1 mm
r1 min.	0,6 mm
A	73 mm
da min.	67 mm
Da max.	88 mm
ra max.	1 mm
Weight	0,443 Kg
Basic dynamic load rating (C)	15 kN
Basic static load rating (C0)	13,1 kN
(Grease) Lubrication Speed	15500 r/min