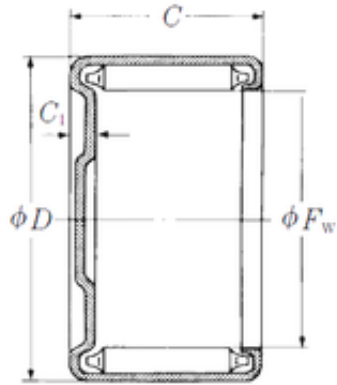




NSK M-24101 needle roller bearings



Bearing No. M-24101

Size	38.1x47.625x15.88 mm
Bore Diameter	38,1 mm
Outer Diameter	47,625 mm
Width	15,88 mm
Fw	38,1 mm
D	47,625 mm
C	15,88 mm
C2	3 mm
Weight	0,063 Kg
Basic dynamic load rating (C)	38,2 kN

M-24101 Bearing 2D drawings and 3D CAD models