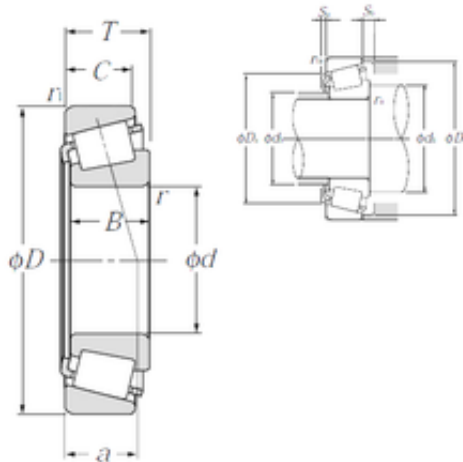




Timken MANUFACTURING (THAILAND)CO.,LTD.



28 mm x 58 mm x 24 mm NTN 4T-332/28 tapered roller bearings

Bearing No. 4T-332/28

4T-332/28 Bearing 2D drawings and 3D CAD models

Size	28x58x24 mm
Bore Diameter	28 mm
Outer Diameter	58 mm
Width	24 mm
d	28 mm
D	58 mm
T	24 mm
B	24 mm
C	19 mm
ra1 max.	1 mm
a	15,5 mm
r min.	1 mm
r1 min.	1 mm
da min.	33,5 mm
Da min	49 mm
Da max.	52,5 mm
db max.	34 mm
Db min.	55 mm
ra max.	1 mm
Sa	5 mm
Sb	5 mm
Weight	0,293 Kg
Basic dynamic load rating (C)	58 kN
Basic static load rating (C0)	69,5 kN
(Grease) Lubrication Speed	6 700 r/min



Timken MANUFACTURING (THAILAND)CO.,LTD.

(Oil) Lubrication Speed	8 900 r/min
Calculation factor (e)	0,34
Calculation factor (Y0)	0,97