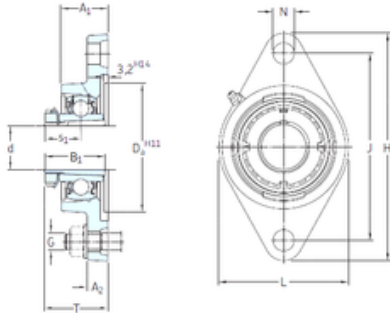




**SKF FYTJ 50 KF+HA 2310 bearing units**

Bearing No. FYTJ 50 KF+HA 2310



FYTJ 50 KF+HA 2310 Bearing 2D drawings and 3D CAD models

Bore Diameter	42,863 mm
d	42,863 mm
Da	101,6 mm
s1	30,5 mm
A1	40 mm
B1	55 mm
G	16 mm
H	195 mm
J	157 mm
L	115 mm
N	19 mm
T	52,5 mm
A2	18 mm
Weight	2,55 Kg
Basic dynamic load rating (C)	35,1 kN
Basic static load rating (C0)	23,2 kN
Fatigue load limit (Pu)	0,98