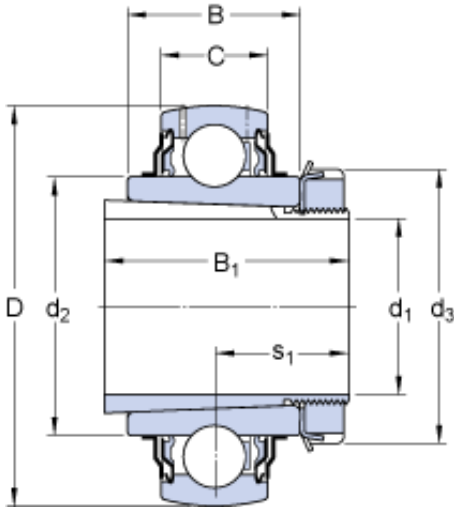




Timken MANUFACTURING (THAILAND)CO.,LTD.



30 mm x 72 mm x 30.5 mm SKF YSA 207-2FK
+ H 2307 deep groove ball bearings

Bearing No. YSA 207-2FK + H 2307

YSA 207-2FK + H 2307 Bearing 2D drawings and 3D CAD models

| | |
|----------------------------------|-------------|
| Size | 72x30x43 mm |
| Bore Diameter | 72 mm |
| Outer Diameter | 30 mm |
| Width | 43 mm |
| d_1 | 30 mm |
| D | 72 mm |
| B_1 | 43 mm |
| B | 30.5 mm |
| C | 19 mm |
| d_2 | 46.1 mm |
| d_3 | 52 mm |
| s_1 - ? | 24.8 mm |
| Basic dynamic load rating - C | 25.5 kN |
| Basic static load rating - C_0 | 15.3 kN |
| Fatigue load limit - P_u | 0.655 kN |
| Limiting speed | 5300 r/min |
| Calculation factor - f_0 | 14 |
| d | 30 mm |
| B_1 | 43 mm |
| d_1 | 46.1 mm |
| d_3 | 52 mm |
| s_1 | 24.8 mm |
| Basic dynamic load rating C | 25.5 kN |
| Basic static load rating C_0 | 15.3 kN |



Timken MANUFACTURING (THAILAND)CO.,LTD.

| | |
|---------------------------------------|------------|
| Fatigue load limit P_u | 0.655 kN |
| Limiting speed ¹⁾ | 5300 r/min |
| Calculation factor f_0 | 14 |
| Mass bearing + adapter sleeve | 0.54 kg |
| Associated spanner | HN 7 |
| Recommended lock nut tightening angle | 100 ° |