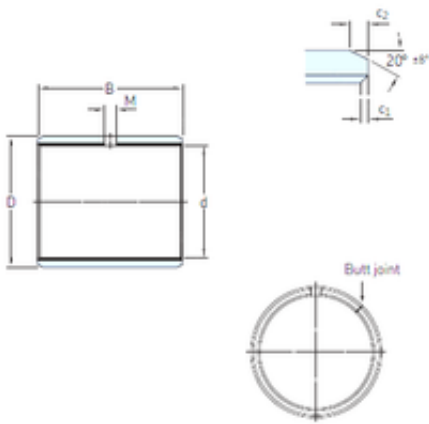




Timken MANUFACTURING (THAILAND)CO.,LTD.



210 mm x 215 mm x 100 mm SKF PCM 210215100 E plain bearings

Bearing No. PCM 210215100 E

PCM 210215100 E Bearing 2D drawings and 3D CAD models

Size	210x215x100 mm
Bore Diameter	210 mm
Outer Diameter	215 mm
Width	100 mm
d	210 mm
D	215 mm
B	100 mm
c1 min	0,2 mm
c2 min	1,2 mm
M	– mm
Weight	1,25 Kg
Basic dynamic load rating (C)	1 660 kN
c ₁ min.	0.2 mm
c ₁ max.	1 mm
c ₂ min.	1.2 mm
c ₂ max.	2.4 mm
± 8	20 °
Tolerance shaft	h8
Tolerance housing	H7
Basic dynamic load rating - radial direction C	1660 kN
Basic static load rating - radial direction C ₀	5200 kN
Specific dynamic load factor K	80 N/mm ²
Specific static load factor K ₀	250 N/mm ²



Timken MANUFACTURING (THAILAND)CO.,LTD.

Factor depending on material and bearing type K_M	480
Permissible sliding velocity v min.	0 m/s
Permissible sliding velocity v max.	2 m/s
Coefficient of friction μ min.	0.03
Coefficient of friction μ max.	0.25
Mass bushing	1.25 kg