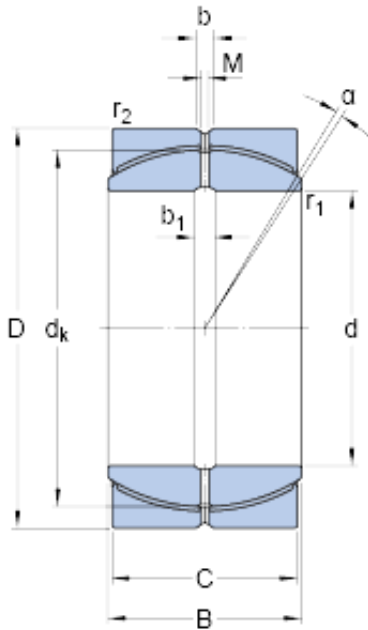




Timken MANUFACTURING (THAILAND)CO.,LTD.



GEP 200 FS Bearing 2D drawings and 3D CAD models

200 mm x 290 mm x 140 mm SKF GEP 200 FS
plain bearings

Bearing No. GEP 200 FS

Size	290x200x140 mm
Bore Diameter	290 mm
Outer Diameter	200 mm
Width	140 mm
d	200 mm
D	290 mm
B	140 mm
C	134 mm
	2 °
d _k	260 mm
b	11.5 mm
b ₁	11.5 mm
M	5 mm
r ₁ - min.	1.1 mm
r ₂ - min.	1.1 mm
d _a - min.	211 mm
d _a - max.	219 mm
D _a - min.	242 mm
D _a - max.	276 mm
r _a - max.	1 mm
r _b - max.	1 mm
Basic dynamic load rating - C	2450 kN
Basic static load rating - C ₀	3650 kN
Specific factor dynamic load - K	80 N/mm ²



Timken MANUFACTURING (THAILAND)CO.,LTD.

Specific factor static load - K_0	120 N/mm ²
Constant - K_M	1055
Category	Spherical Plain Bearings - Radial
Inventory	0.0
Manufacturer Name	SKF
Minimum Buy Quantity	N/A
Weight / Kilogram	39
EAN	7316570445831
Product Group	B04264
Self Aligning	Yes
Rolling Element	Spherical Plain
Material - Outer Member	Steel
Material - Ball	Steel
Material - Liner	Plastic Teflon
Relubricatable	Yes
Enclosure	Open
Other Features	3 Piece Radially Split Outer Ring Chrome Plated Ball Separable Self Lubricating Lubrication Hole and Groove in Both Rings
Long Description	200MM Bore; 134MM Housing Width; 290MM Outside Diameter; Spherical Plain; Steel Outer Member; Steel Ball; Plastic Teflon Liner; 140MM Overall Width; Relubricatable
Inch - Metric	Metric
Category	Plain Bearings Spherical Radial
UNSPSC	31171515
Harmonized Tariff Code	8483.30.80.70
Noun	Bearing



Timken MANUFACTURING (THAILAND)CO.,LTD.

Keyword 3	Spherical
Keyword String	Plain Spherical Radial
Manufacturer URL	http://www.skf.com
Manufacturer Item Number	GEP 200 FS
Weight / LBS	73.855
Housing Width	5.276 Inch 134 Millimeter
Outside Diameter	11.417 Inch 290 Millimeter
Overall Width	5.512 Inch 140 Millimeter
Bore	7.874 Inch 200 Millimeter
Lubricant	Maintenance free – dry lubrication
Design (sliding contact surface combination)	Steel/PTFE FRP
Sealing solution	-
	2 °
d_k	260 mm
b_1	11.5 mm
r_1 min.	1.1 mm
r_2 min.	1.1 mm
d_a min.	211 mm
d_a max.	219 mm
D_a min.	242 mm
D_a max.	276 mm
r_a max.	1 mm
r_b max.	1 mm
Basic dynamic load rating C	2450 kN
Basic static load rating C_0	3650 kN
Specific dynamic load factor K	80 N/mm ²
Specific static load factor K_0	120 N/mm ²
Material constant K_M	1055
Mass plain bearing	33.5 kg