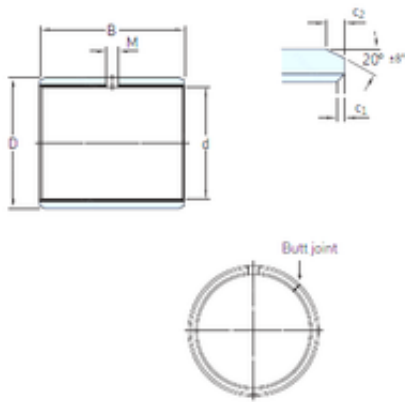




Timken MANUFACTURING (THAILAND)CO.,LTD.



127 mm x 131,763 mm x 76,2 mm SKF PCZ 8048 E plain bearings

Bearing No. PCZ 8048 E

PCZ 8048 E Bearing 2D drawings and 3D CAD models

Size	127x131.763x76.2 mm
Bore Diameter	127 mm
Outer Diameter	131,763 mm
Width	76,2 mm
d	127 mm
D	131,763 mm
B	76,2 mm
c1 min	0,2 mm
c2 min	1,2 mm
M	– mm
Weight	0,56 Kg
Basic dynamic load rating (C)	765 kN
c ₁ min.	0.2 mm
c ₁ max.	1 mm
c ₂ min.	1.2 mm
c ₂ max.	2.4 mm
± 8	20 °
Shaft diameter range min.	126.901 mm
Shaft diameter range max.	126.964 mm
Housing bore range min.	131.684 mm
Housing bore range max.	131.724 mm
Basic dynamic load rating - radial direction C	765 kN
Basic static load rating - radial direction C ₀	2400 kN



Timken MANUFACTURING (THAILAND)CO.,LTD.

Specific dynamic load factor K	80 N/mm ²
Specific static load factor K ₀	250 N/mm ²
Factor depending on material and bearing type K _M	480
Permissible sliding velocity v min.	0 m/s
Permissible sliding velocity v max.	2 m/s
Coefficient of friction μ min.	0.03
Coefficient of friction μ max.	0.25
Mass bushing	0.56 kg