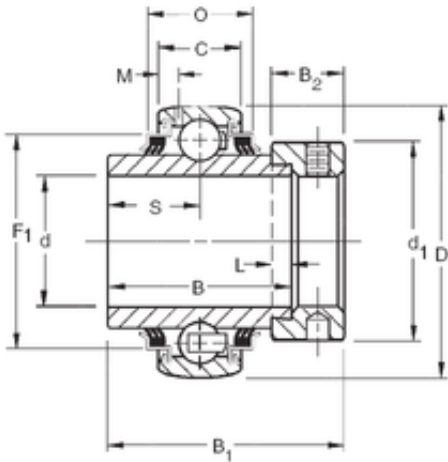




Timken MANUFACTURING (THAILAND)CO.,LTD.

47,625 mm x 90 mm x 49,21 mm Timken G1114KPPB3 deep groove ball bearings



Bearing No. G1114KPPB3

Size	47.625x90x49.21 mm
Bore Diameter	47,625 mm
Outer Diameter	90 mm
Width	49,21 mm
d	47,625 mm
D	90 mm
B	49,21 mm
C	23 mm
O	27,51 mm
d1	69,9 mm
B1	62,7 mm
B2	18,3 mm
L	4,8 mm
M	4,7 mm
S	24,6 mm
F1	77,7 mm
Weight	1,034 Kg
Basic dynamic load rating (C)	39,2 kN

G1114KPPB3 Bearing 2D drawings and 3D CAD models