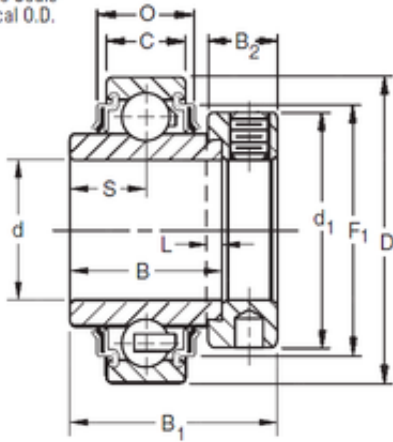




Timken MANUFACTURING (THAILAND)CO.,LTD.

KRR Two Seals
Cylindrical O.D.



47,625 mm x 90 mm x 49,21 mm Timken
1114KRR deep groove ball bearings

Bearing No. 1114KRR

Size	47.625x90x49.21 mm
Bore Diameter	47,625 mm
Outer Diameter	90 mm
Width	49,21 mm
d	47,625 mm
D	90 mm
B	49,21 mm
C	20 (5) mm
P	22,25 mm
O	24,51 mm
d1	69,9 mm
B1	62,7 mm
B2	18,3 mm
L	4,8 mm
S	24,6 mm
F1	77,7 mm
Weight	1,057 Kg
Basic dynamic load rating (C)	39 kN

1114KRR Bearing 2D drawings and 3D CAD models