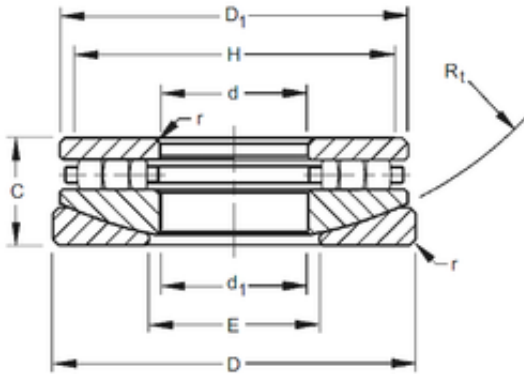




Timken 30TPS107 thrust roller bearings



Bearing No. 30TPS107

Bore Diameter	76,2 mm
Outer Diameter	185,725 mm
d	76,2 mm
D	185,725 mm
r max	1,6 mm
d1	77,79 mm
C	46,038 mm
D1	176,21 mm
E	111,1 mm
H	166,7 mm
R	241,3 mm

30TPS107 Bearing 2D drawings and 3D CAD models