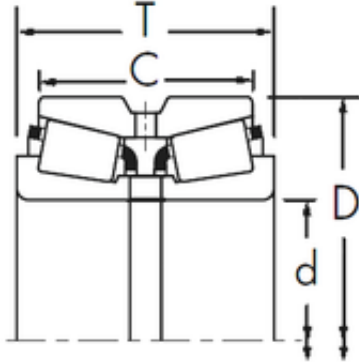




Timken MANUFACTURING (THAILAND)CO.,LTD.

Timken 71450/71751D+X4S-71450 tapered roller bearings

Bearing No. 71450/71751D+X4S-71450



71450/71751D+X4S-71450 Bearing 2D drawings and 3D CAD models

Size	114.3x190.5x106.362 mm
Bore Diameter	114,3 mm
Outer Diameter	190,5 mm
Width	106,362 mm
d	114,3 mm
D	190,5 mm
T	106,362 mm
C	80,962 mm
R	3,5 mm
r	1,5 mm