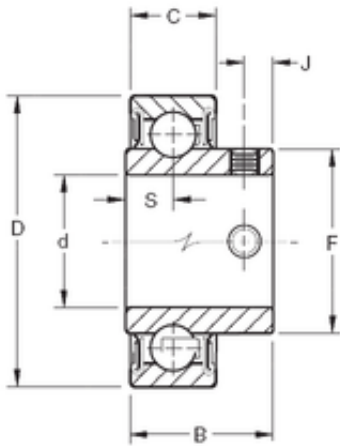




Timken MANUFACTURING (THAILAND)CO.,LTD.



20 mm x 47 mm x 27 mm Timken YAE20RR
deep groove ball bearings

Bearing No. YAE20RR

Size	20x47x27 mm
Bore Diameter	20 mm
Outer Diameter	47 mm
Width	27 mm
d	20 mm
D	47 mm
B	27 mm
C	15 mm
F	29 mm
J	6,02 mm
S	8,86 mm
Thread (G)	M6X1
Weight	0,14 Kg
Basic dynamic load rating (C)	14,3 kN

YAE20RR Bearing 2D drawings and 3D CAD models