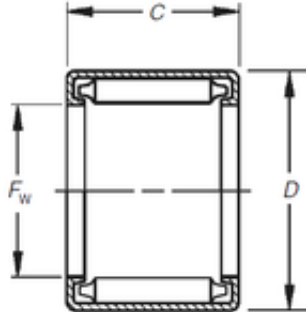




# Timken MANUFACTURING (THAILAND)CO.,LTD.

## Timken BH-108 needle roller bearings



Bearing No. BH-108

Size	15.875x22.212x12.7 mm
Bore Diameter	15,875 mm
Outer Diameter	22,212 mm
Width	12,7 mm
Fw	15,875 mm
D	22,212 mm
C	12,7 mm
Weight	0,014 Kg
Basic dynamic load rating (C)	12,7 kN
Basic static load rating (C0)	18,3 kN
(Grease) Lubrication Speed	4200 r/min

BH-108 Bearing 2D drawings and 3D CAD models