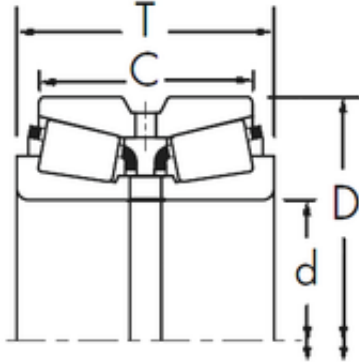




Timken MANUFACTURING (THAILAND)CO.,LTD.



Timken HM252348/HM252310CD+HM252349XB tapered roller bearings

Bearing No. HM252348/HM252310CD+HM252349XB

Size	260.35x422.275x178.592 mm
Bore Diameter	260,35 mm
Outer Diameter	422,275 mm
Width	178,592 mm
d	260,35 mm
D	422,275 mm
T	178,592 mm
C	139,7 mm
R	6,8 mm
r	1,5 mm

HM252348/HM252310CD+HM252349XB Bearing 2D drawings and 3D CAD models