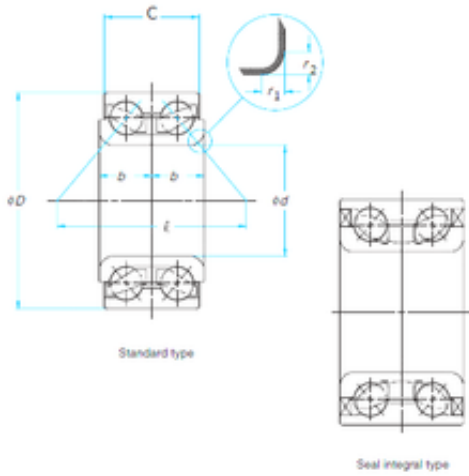




Timken MANUFACTURING (THAILAND)CO.,LTD.



38 mm x 73 mm x 40 mm Timken 510015
angular contact ball bearings

Bearing No. 510015

Size	38x73x40 mm
Bore Diameter	38 mm
Outer Diameter	73 mm
Width	40 mm
d	38 mm
D	73 mm
B	40 mm
C	40 mm

510015 Bearing 2D drawings and 3D CAD models