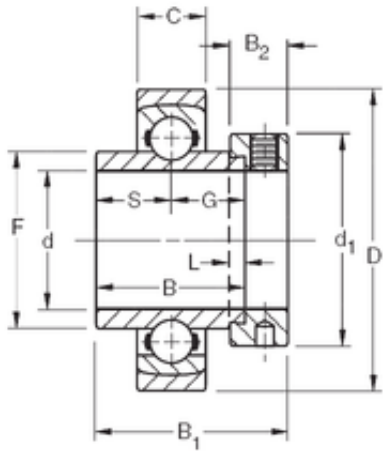




Timken MANUFACTURING (THAILAND)CO.,LTD.



36,5125 mm x 88 mm x 38,1 mm Timken SMN107KS deep groove ball bearings

Bearing No. SMN107KS

| | |
|-------------------------------|--------------------|
| Size | 36.5125x88x38.1 mm |
| Bore Diameter | 36,5125 mm |
| Outer Diameter | 88 mm |
| Width | 38,1 mm |
| d | 36,5125 mm |
| D | 88 mm |
| B | 38,1 mm |
| C | 21 mm |
| d1 | 55,6 mm |
| B1 | 51,6 mm |
| B2 | 17,5 mm |
| F | 48,95 mm |
| G | 19,8 mm |
| L | 4 mm |
| S | 18,3 mm |
| Weight | 0,849 Kg |
| Basic dynamic load rating (C) | 40,5 kN |

SMN107KS Bearing 2D drawings and 3D CAD models